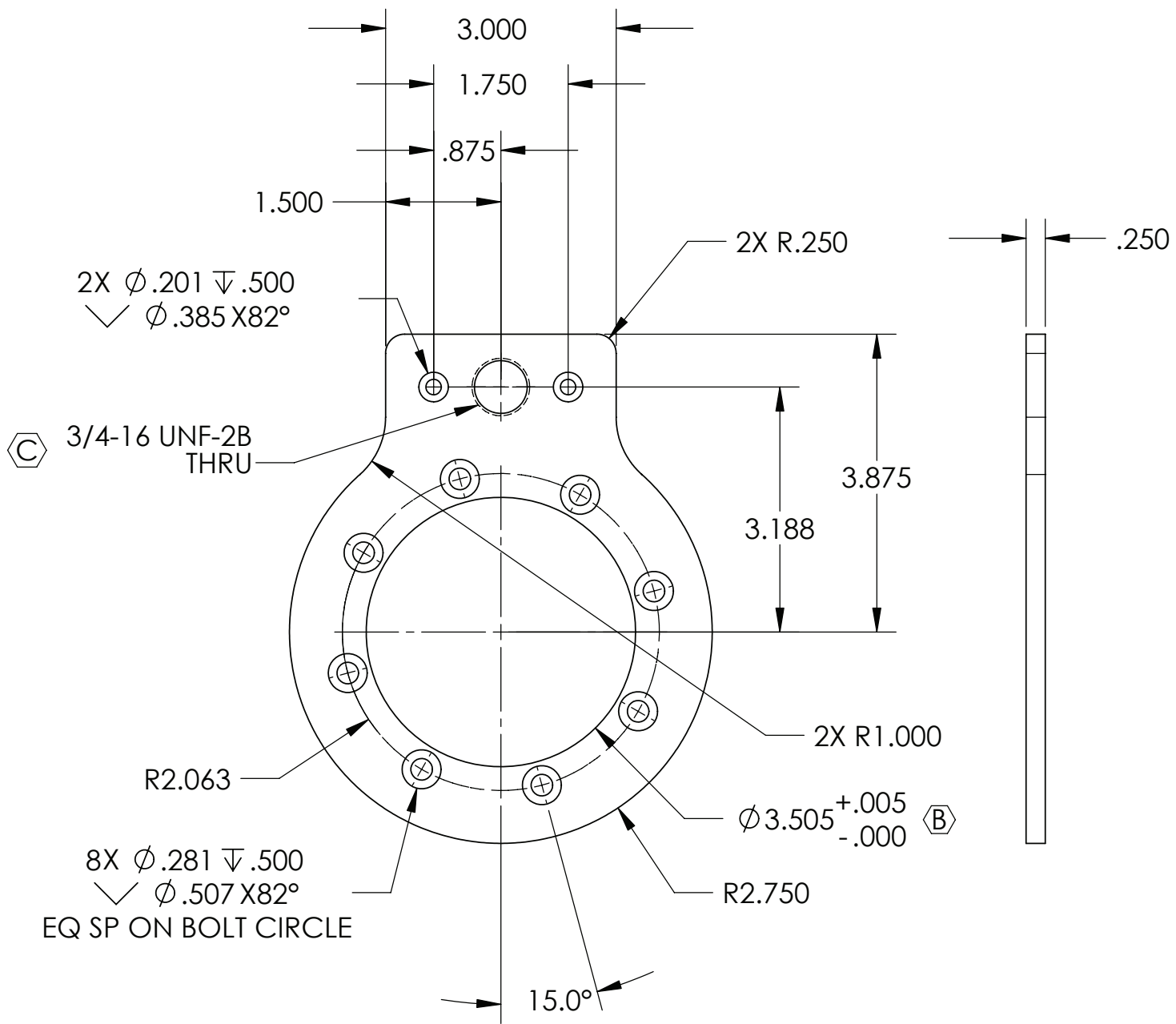


REVISIONS			
REV.	DESCRIPTION	DATE	APPROVED
A	RELEASED	1/5/07	WZ
B	ECN 200343ECNA	2/6/2007	
C	ECN 200343ECNB	3/1/2007	



NOTES:

1. REMOVE ALL SHARP EDGES.
2. BLACK ANODIZE PER MIL-A-8625F, TYPE II, CLASS 2

UNLESS OTHERWISE SPECIFIED TOLERANCES		NAME	DATE	PLANEWAVE Instruments	
DECIMAL DIM	ANGULAR DIM	DRAWN	1/5/2007	TITLE	
.XXXX ±.0005	MACHINED ±0° 30'	CHECKED		PLATE, FLANGE	
.XXX ±.005	LOCATING ±0° 30'	ENG APPR.			
.XX ±.02	FORMED ±1°	MATERIAL		SIZE	DWG. NO.
	CHAMFERS ±5°	6061-T6 AL ALLOY		A	200343
SURFACE FINISH		FINISH		SCALE: 1:2	REV. C
MAX R 0.015		SEE NOTE		CAD FILE: 200343C	SHEET 1 OF 1
BREAK ALL SHARP EDGES & REMOVE BURRS.					

PROPRIETARY AND CONFIDENTIAL
 THE INFORMATION CONTAINED IN THIS DRAWING IS THE SOLE PROPERTY OF PLANEWAVE INSTRUMENTS. ANY REPRODUCTION IN PART OR AS A WHOLE WITHOUT THE WRITTEN PERMISSION OF PLANEWAVE INSTRUMENTS IS PROHIBITED.